

TS 1000 C



101833-07

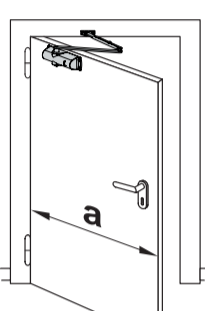
GEZE



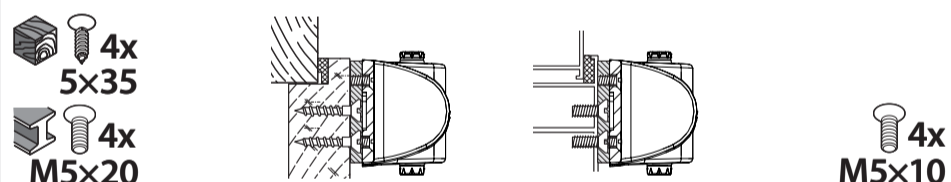
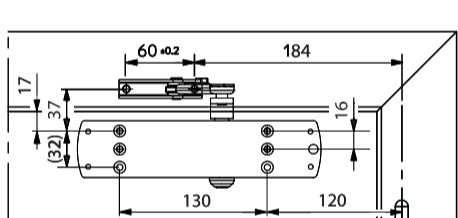
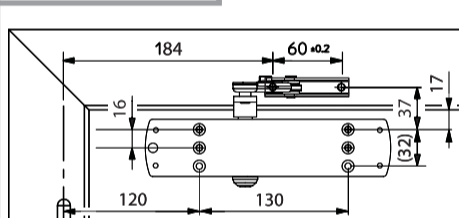
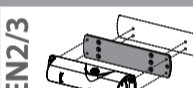
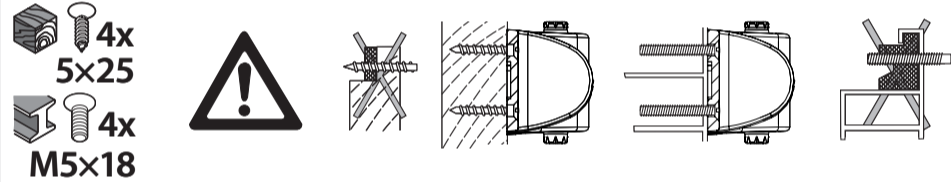
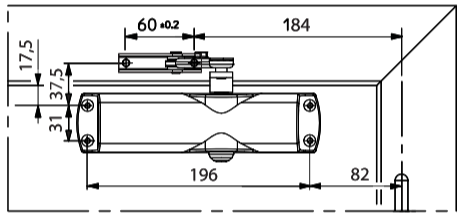
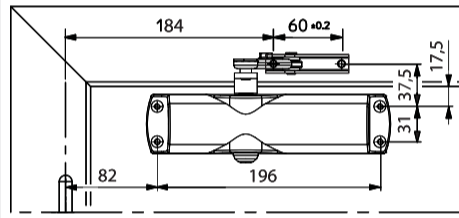
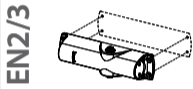
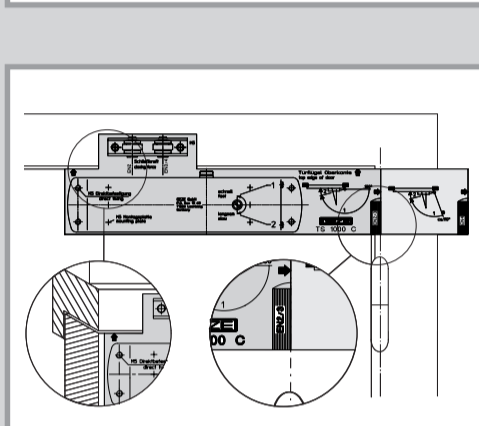
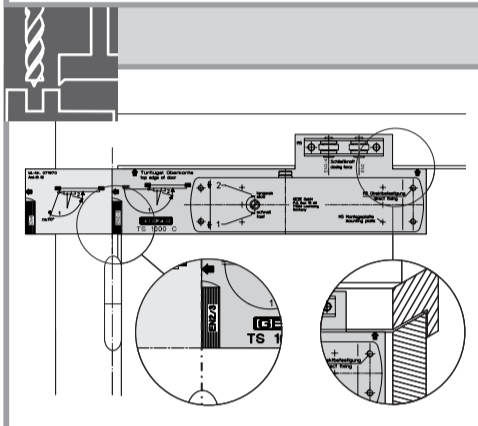
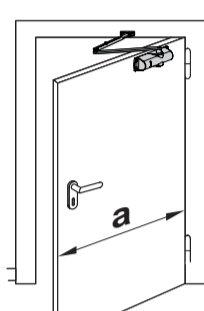
A

B

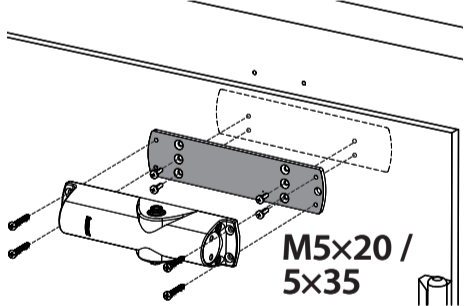
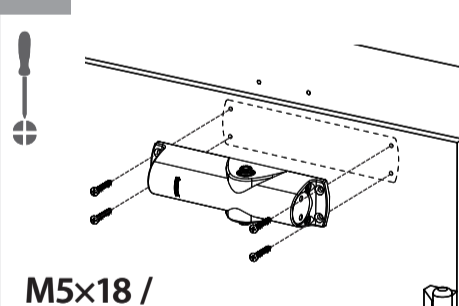
EN2/3
a ≤ 950 mm



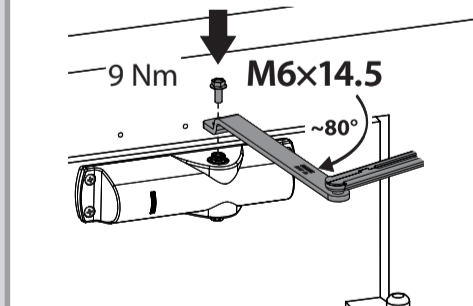
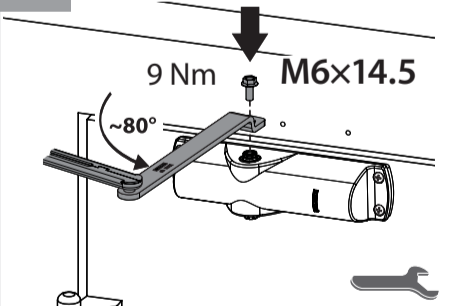
EN2/3
a ≤ 950 mm



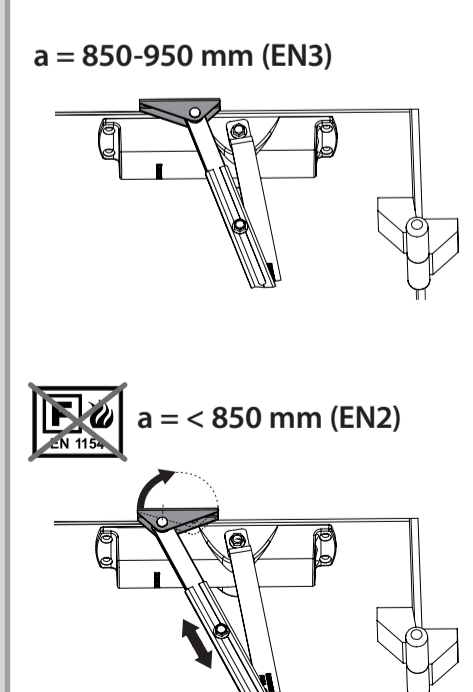
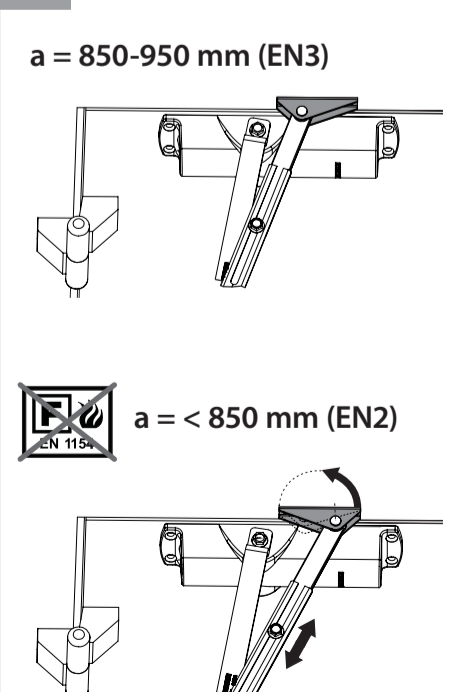
1



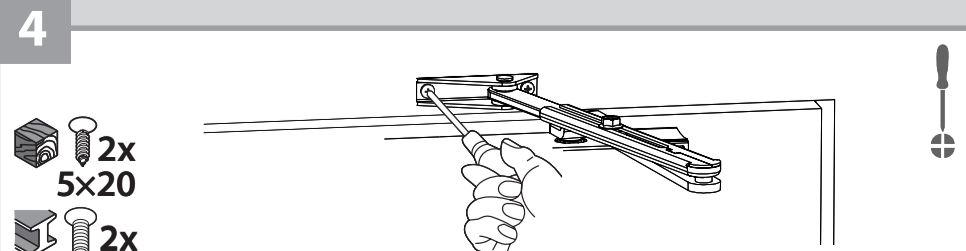
2



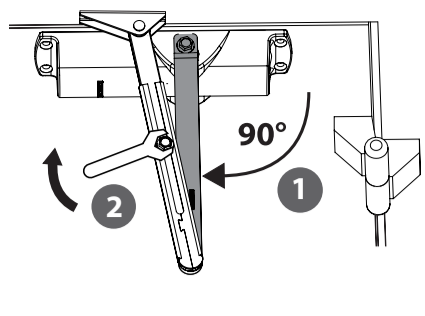
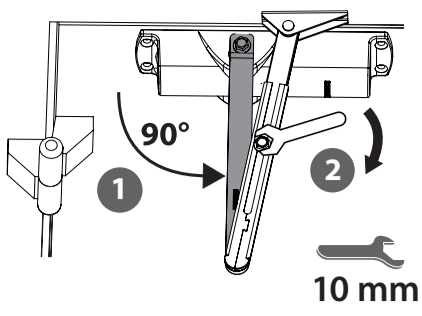
3



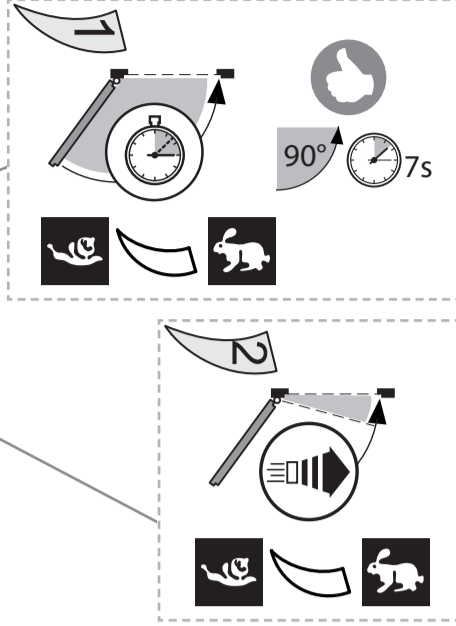
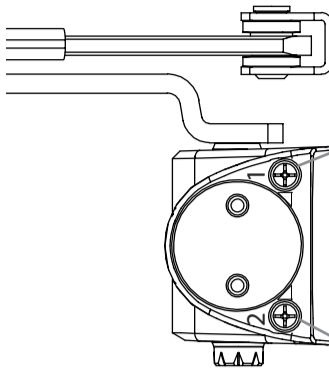
4



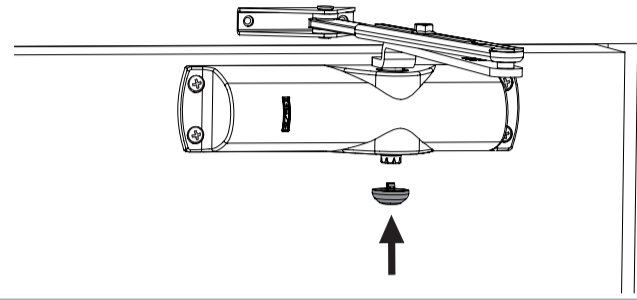
5



6

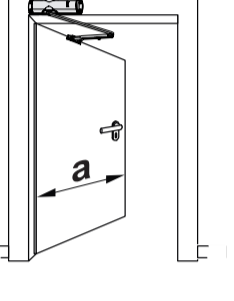


7

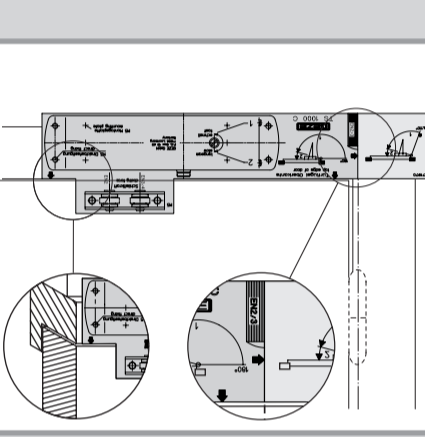
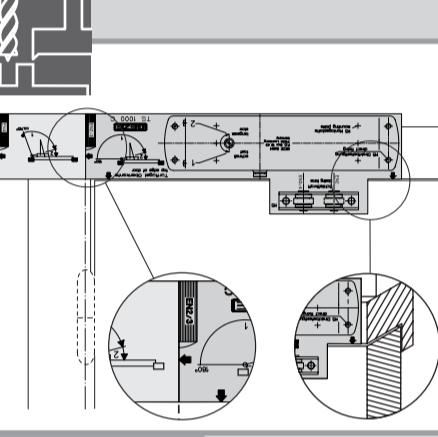
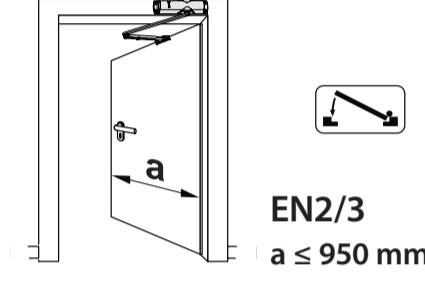


i

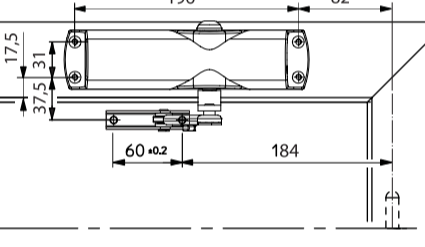
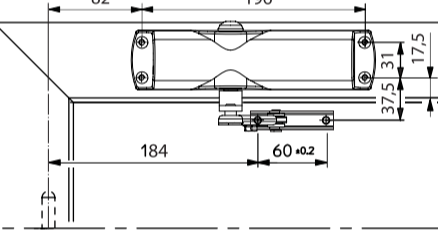
EN2/3
a ≤ 950 mm



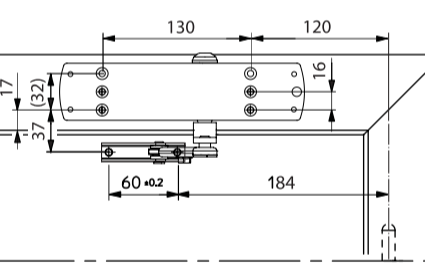
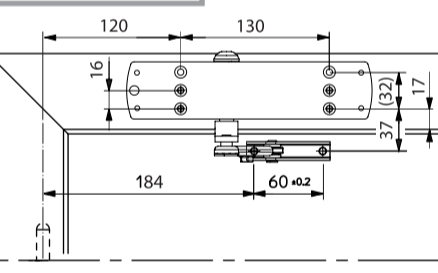
EN2/3
a ≤ 950 mm



EN2/3

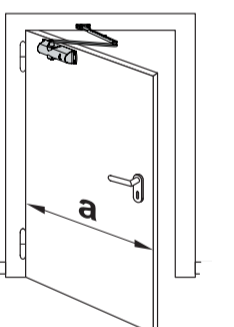


EN2/3

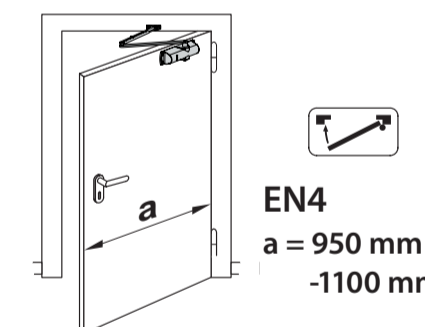


i

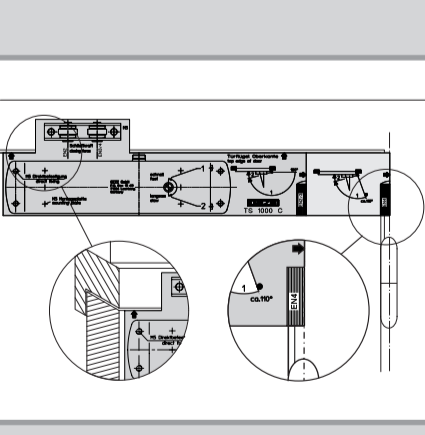
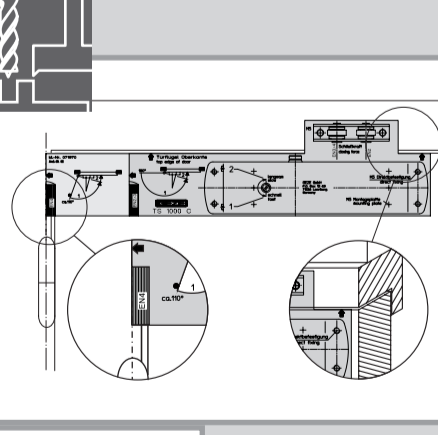
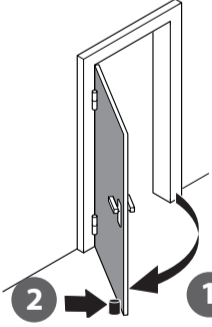
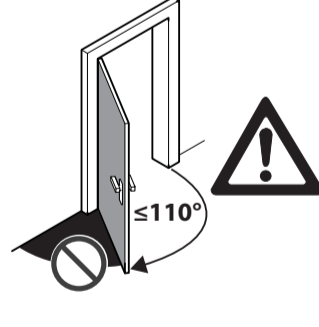
EN4
a = 950 mm
-1100 mm



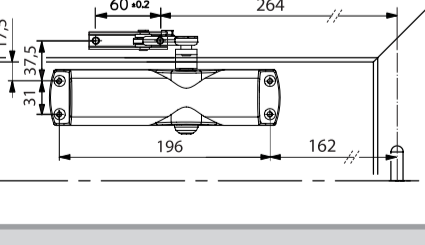
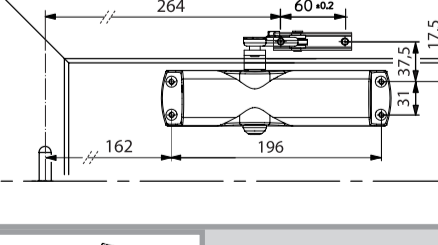
EN4
a = 950 mm
-1100 mm



i+



EN4



EN4

